

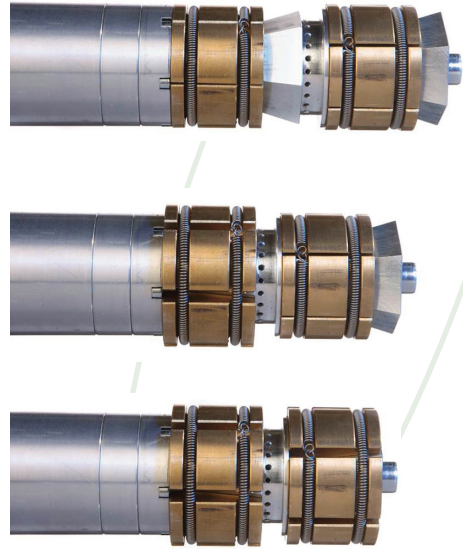
CCP - Combi Clamp with purging (pneumatic)

CCP (pneumatic)

Cat.no	Size	Length	Weight kg	Working range
CCP02	2"	500mm	4	6mm
CCP03	3"	520mm	8	6mm
CCP04	4"	590mm	14	8mm
CCP05	5"	670mm	22	8mm
CCP06	6"	670mm	25	8mm
CCP08	8"	680mm	50	8mm

CCP tools to be ordered for a specific working range!
Clamping shoes can be changed to different diameters

Pipe reforming capacity: Wall thickness up to 10 mm.
Pipe alignment capacity: Wall thickness up to 40 mm.



CCH - Combi Clamp with purging (hydraulic)

CCH (hydraulic)

Cat.no	Size	Length	Weight kg	Working range
CCH06	6"	810mm	29	10mm
CCH08	8"	810mm	49	10mm
CCH10	10"	650mm	74	10mm
CCH12	12"	650mm	94	10mm
CCH14	14"	650mm	115	10mm
CCH16	16"	650mm	135	10mm
CCH18	18"	650mm	170	10mm
CCH20	20"	650mm	188	10mm
CCH22	22"	650mm	224	10mm
CCH24	24"	650mm	283	10mm

CCH tools to be ordered for a specific working range!

Pipe reforming capacity: Wall thickness up to 15 mm.
Pipe alignment capacity: Wall thickness up to 40 mm.

